

A

B

C

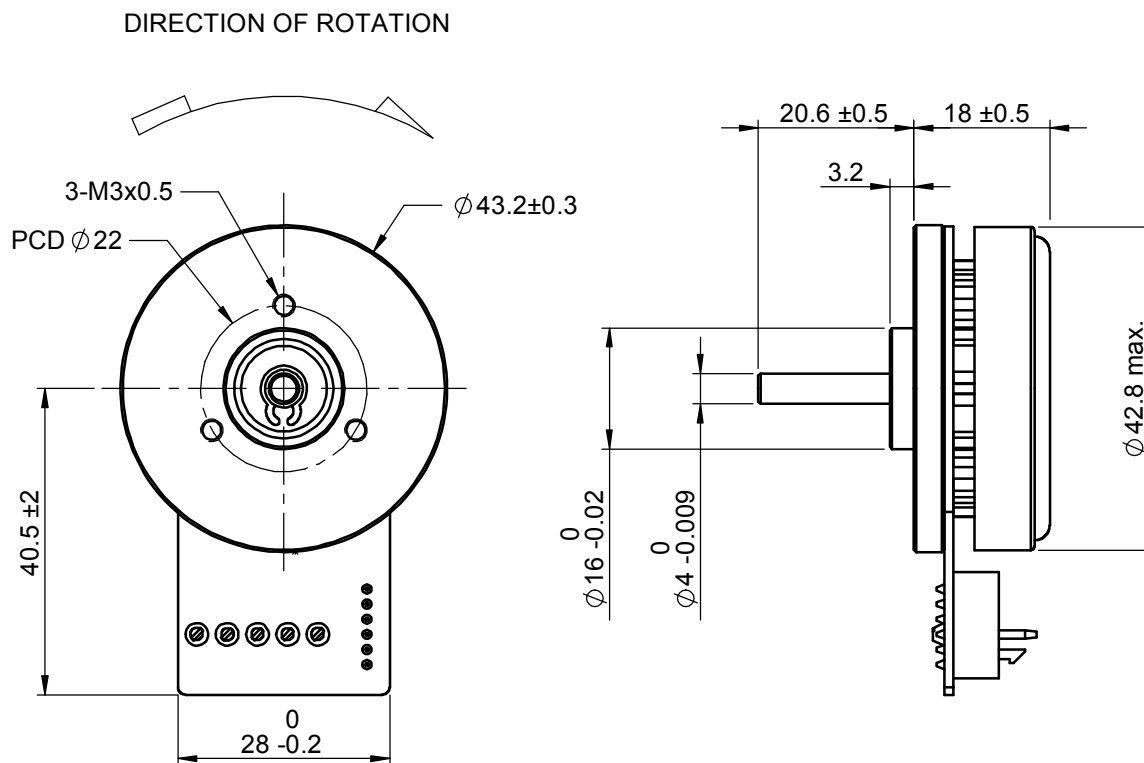
D

A

B

C

D



MODEL		NO LOAD		AT MAXIMUM EFFICIENCY					 THIRD ANGLE PROJECTION <small>ALL DIMENSION ARE IN MM (UNLESS OTHERWISE SPECIFIED)</small>	製圖 設計 審核 材料 完成時間	JANE	Cheshire Electric Company, LLC		
NOMINAL	24V DC	SPEED RPM	CURRENT A	SPEED RPM	CURRENT A	TORQUE g-cm	OUTPUT W	EFF %			Part No	Name	REV. NO.	A
		6100	0.19	5188	1.06	383.5	20.9	82.4	繪製比例: 1:1	2015/4/28	DC Brushless motor			

1

2

3

4

5

6

2

3

4

5

6